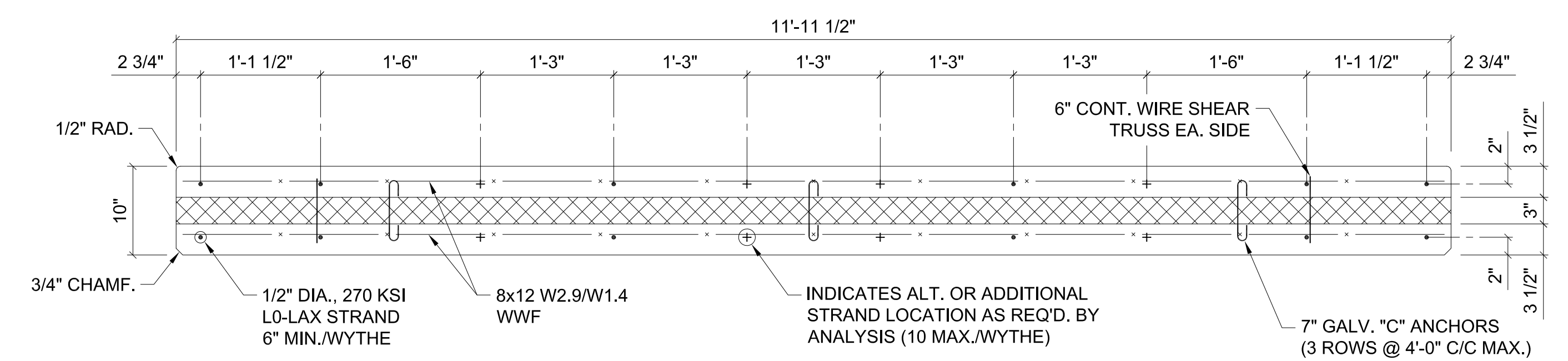
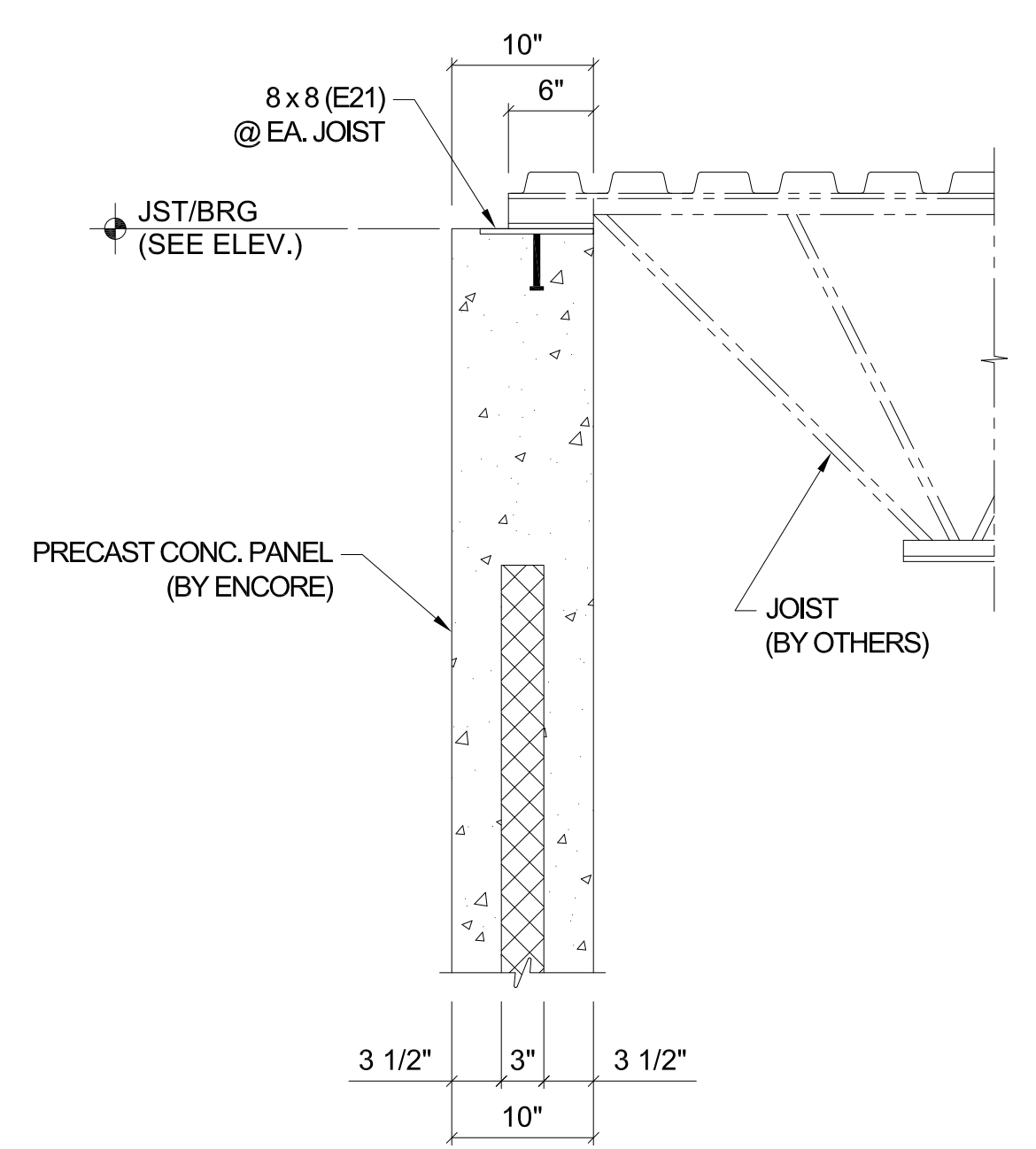


3/8" PL. x 4 x 0'-8" w/2 - 1/2"Ø x 4" LG. HEADED STUDS WELDED TO PL.
 1/2" PL. x 12 x 1'-2" w/6 - 1/2"Ø x 4" LG. HEADED STUDS WELDED TO PL.
 3/8" PL. x 8 x 0'-8" w/2 - 1/2"Ø x 4" LG. HEADED STUDS WELDED TO PL.
 3/8" PL. x 8 x 1'-0" w/3 - 1/2"Ø x 4" LG. HEADED STUDS WELDED TO PL.
 3/8" PL. x 12 x 1'-0" w/4 - 1/2"Ø x 4" LG. HEADED STUDS WELDED TO PL.
 3/8" PL. x 6 x 1'-0" w/2 - 1/2"Ø x 4" LG. HEADED STUDS WELDED TO PL.

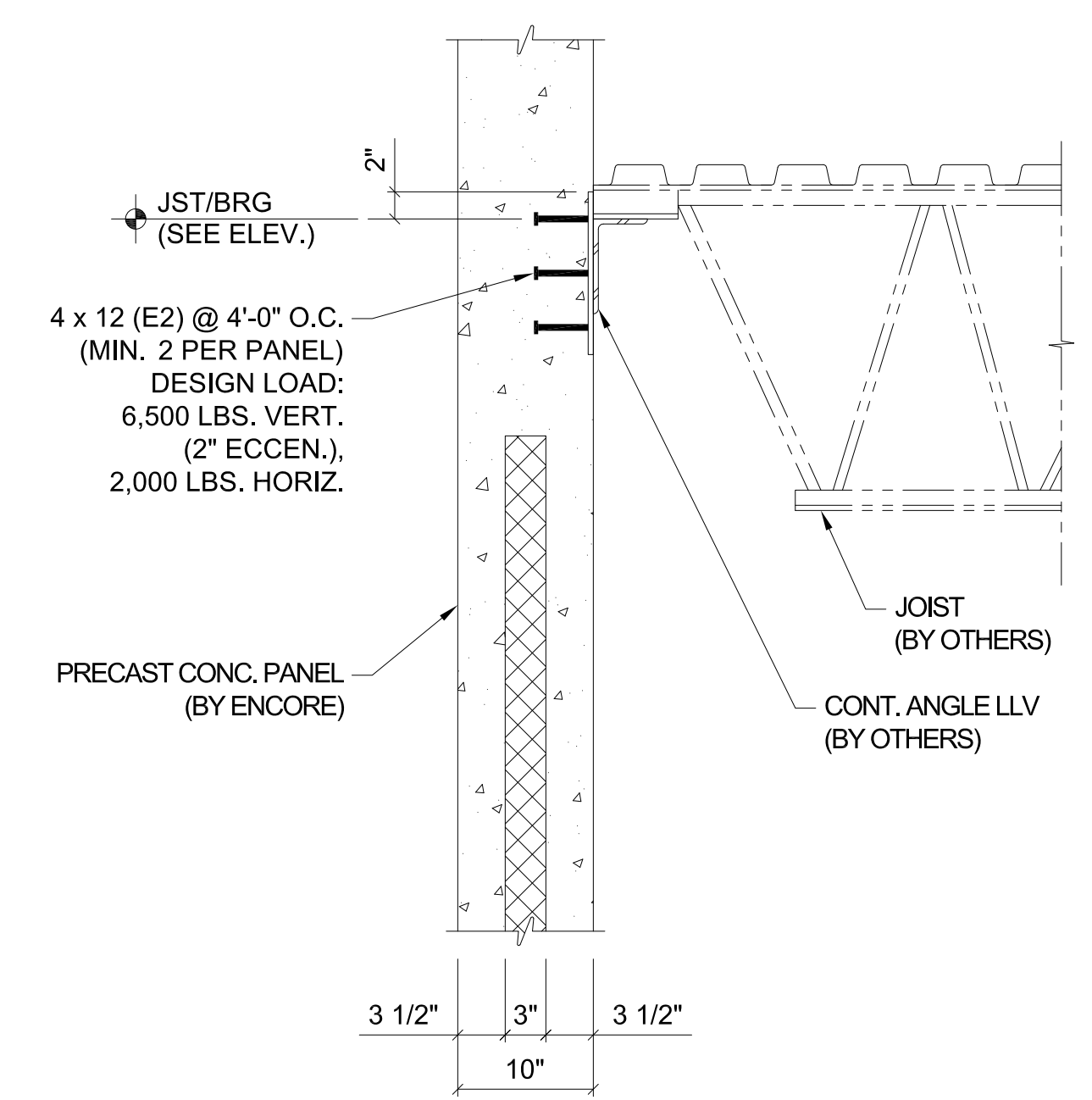
EMBED - E1 1"=1'-0" EMBED - E9 1"=1'-0" EMBED - E21 1"=1'-0" EMBED - E23 1"=1'-0" EMBED - E32 1"=1'-0" EMBED - E33 1"=1'-0"



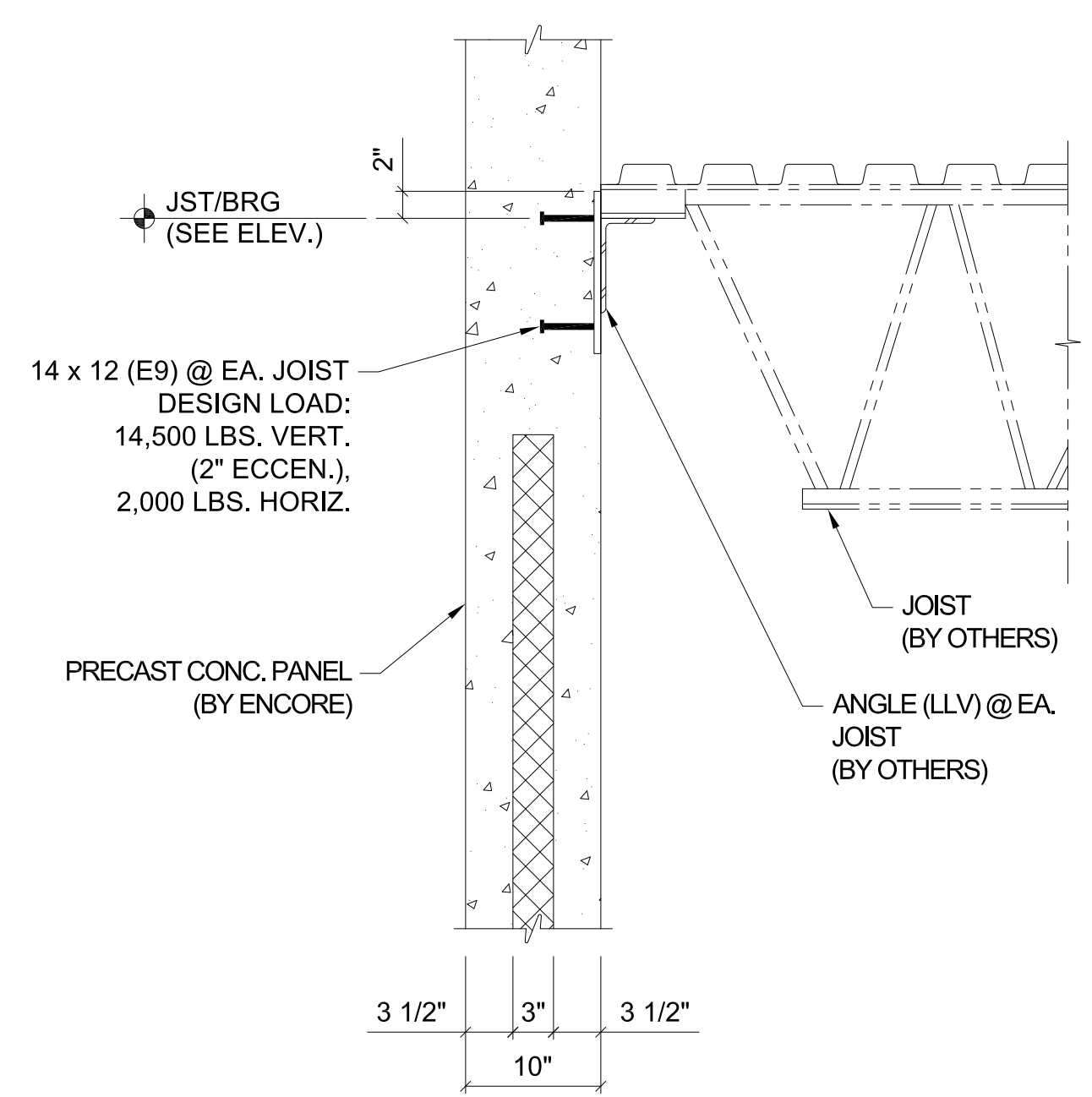
12' PANEL CROSS SECTION R=12.84



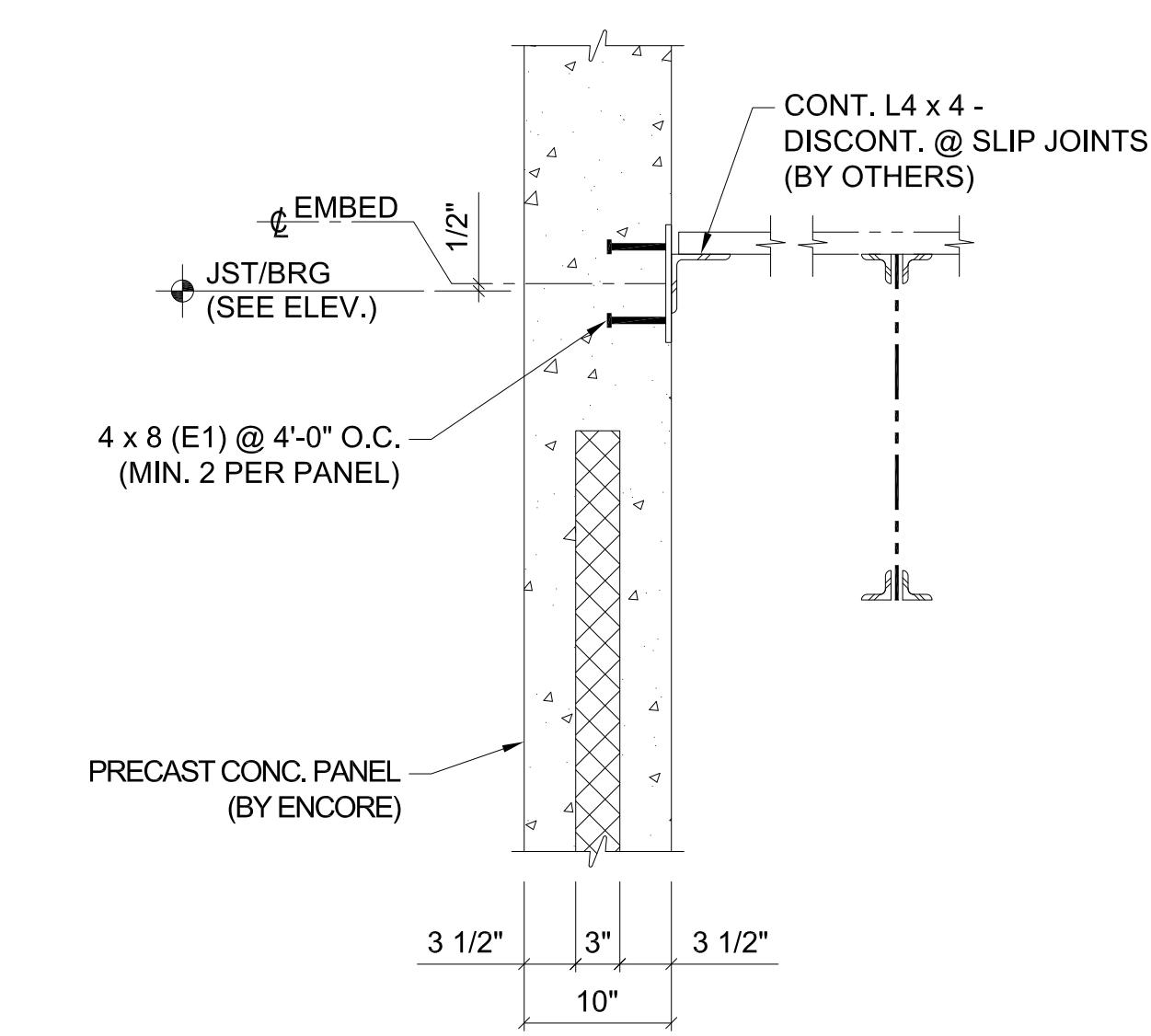
SECTION A 1"=1'-0"



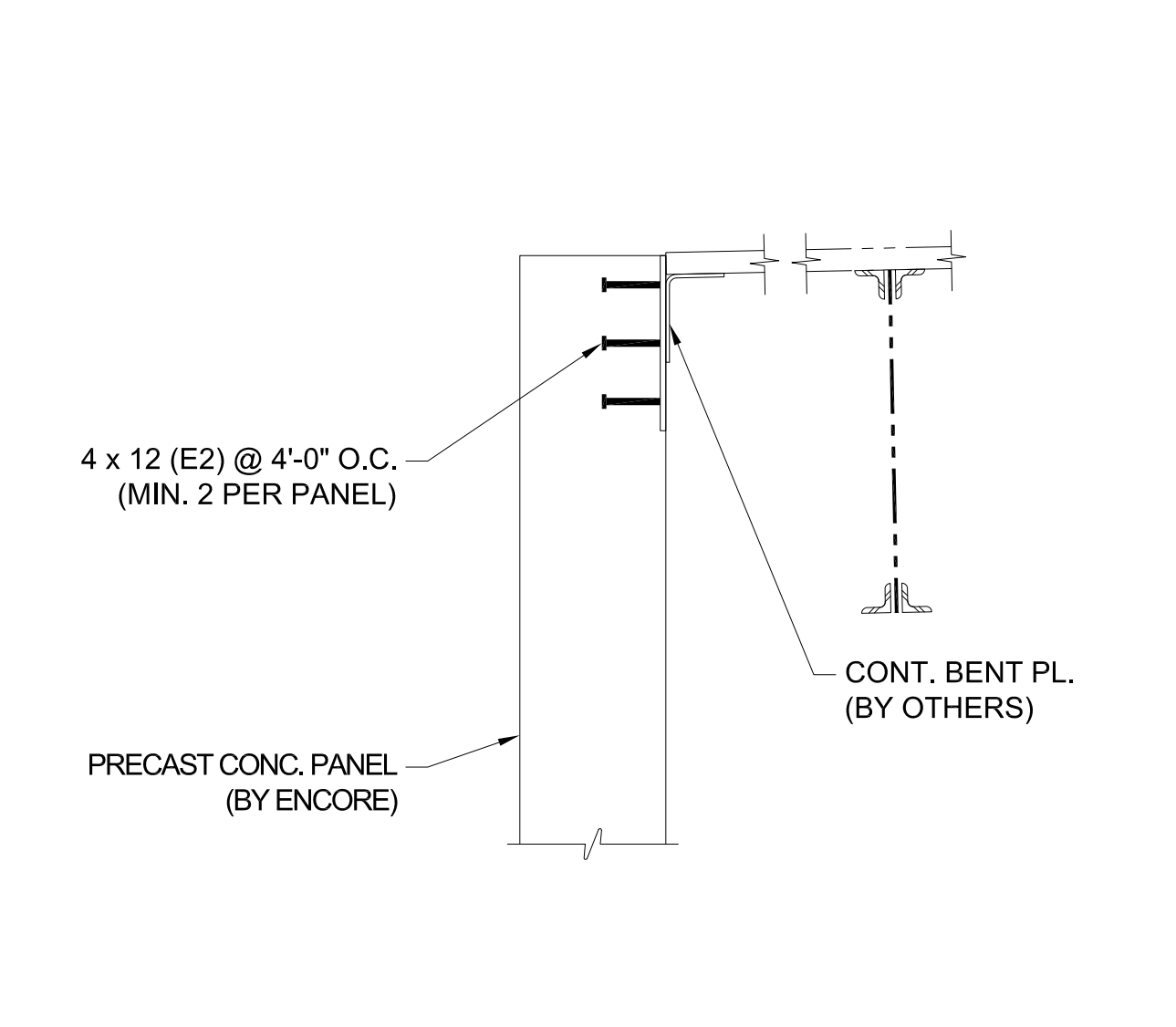
SECTION B 1"=1'-0"



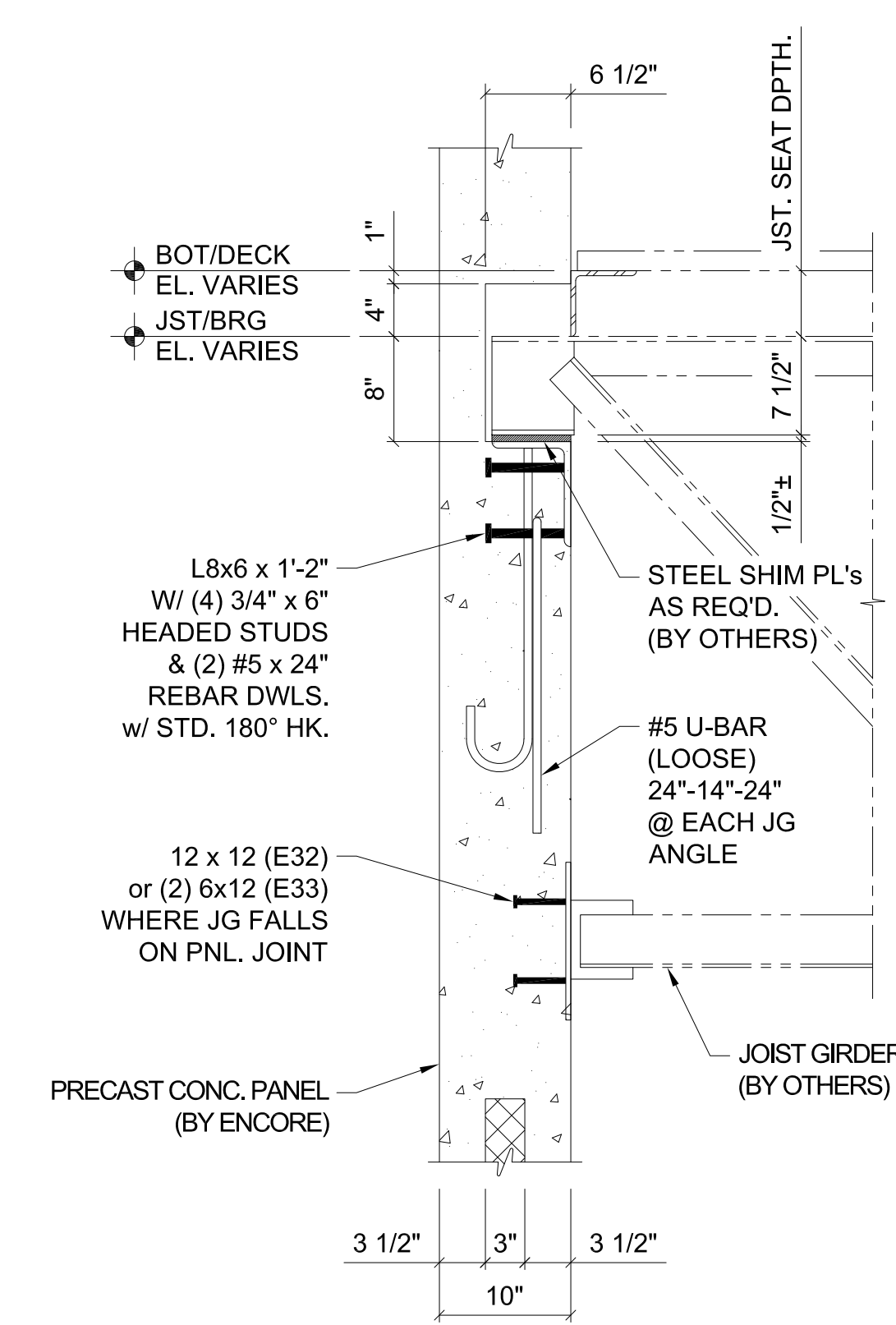
SECTION B 1"=1'-0"



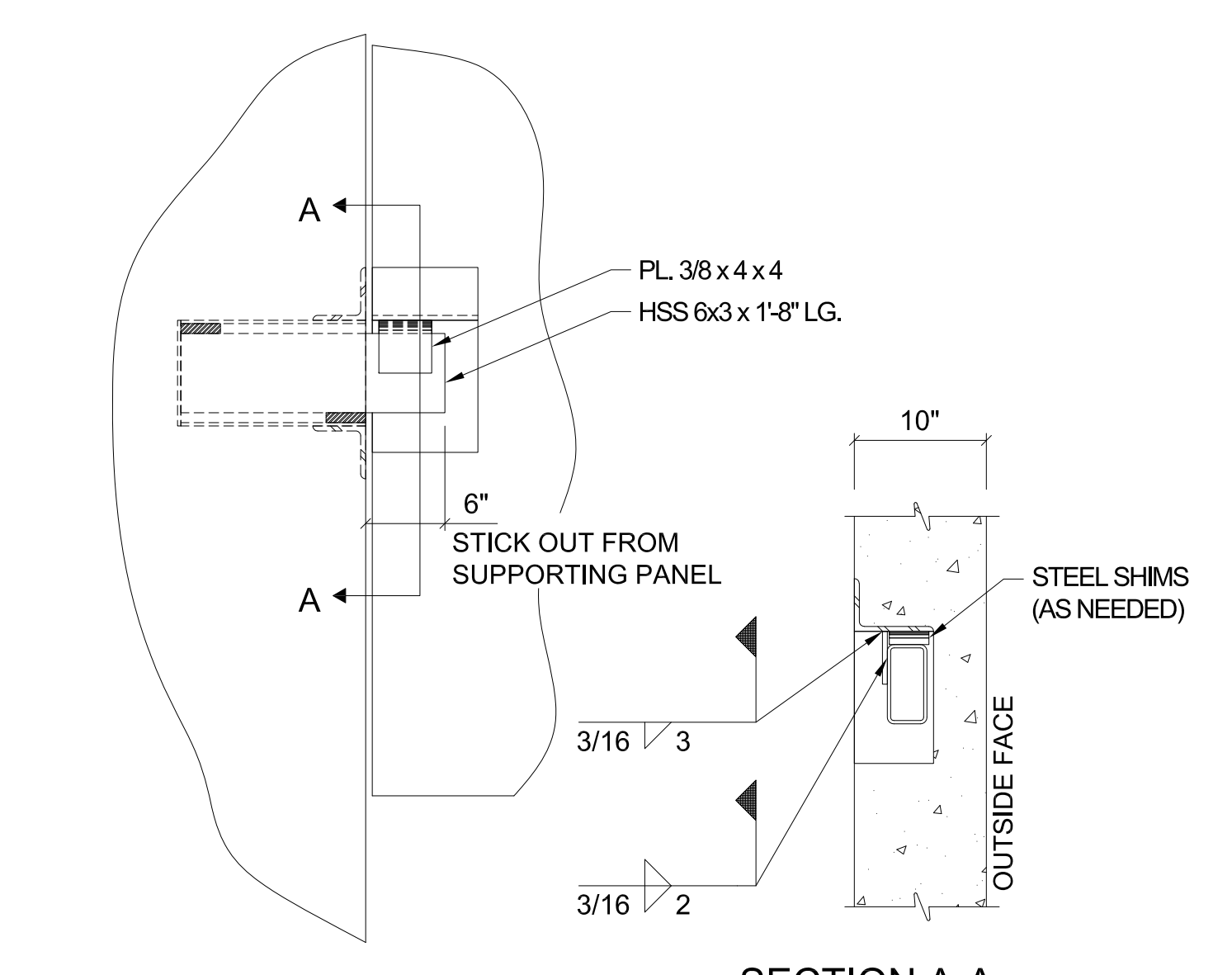
SECTION F 1"=1'-0"



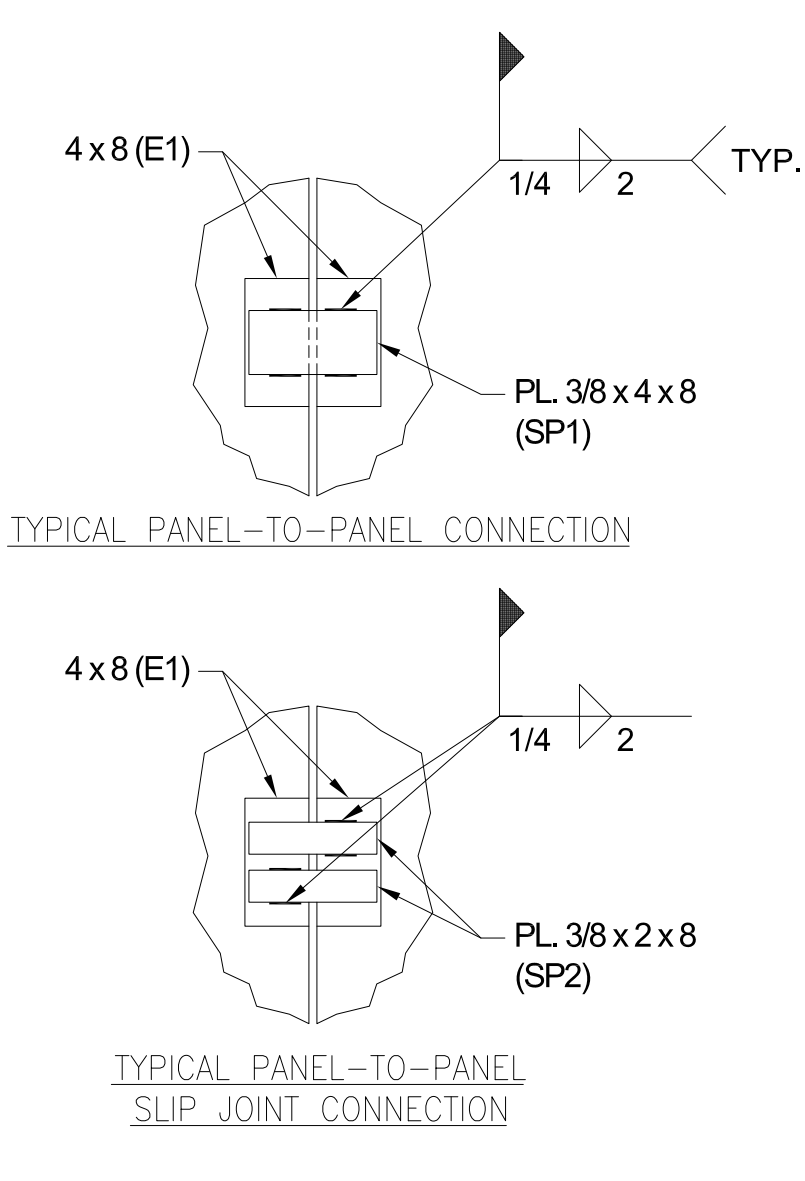
SECTION F 1"=1'-0"



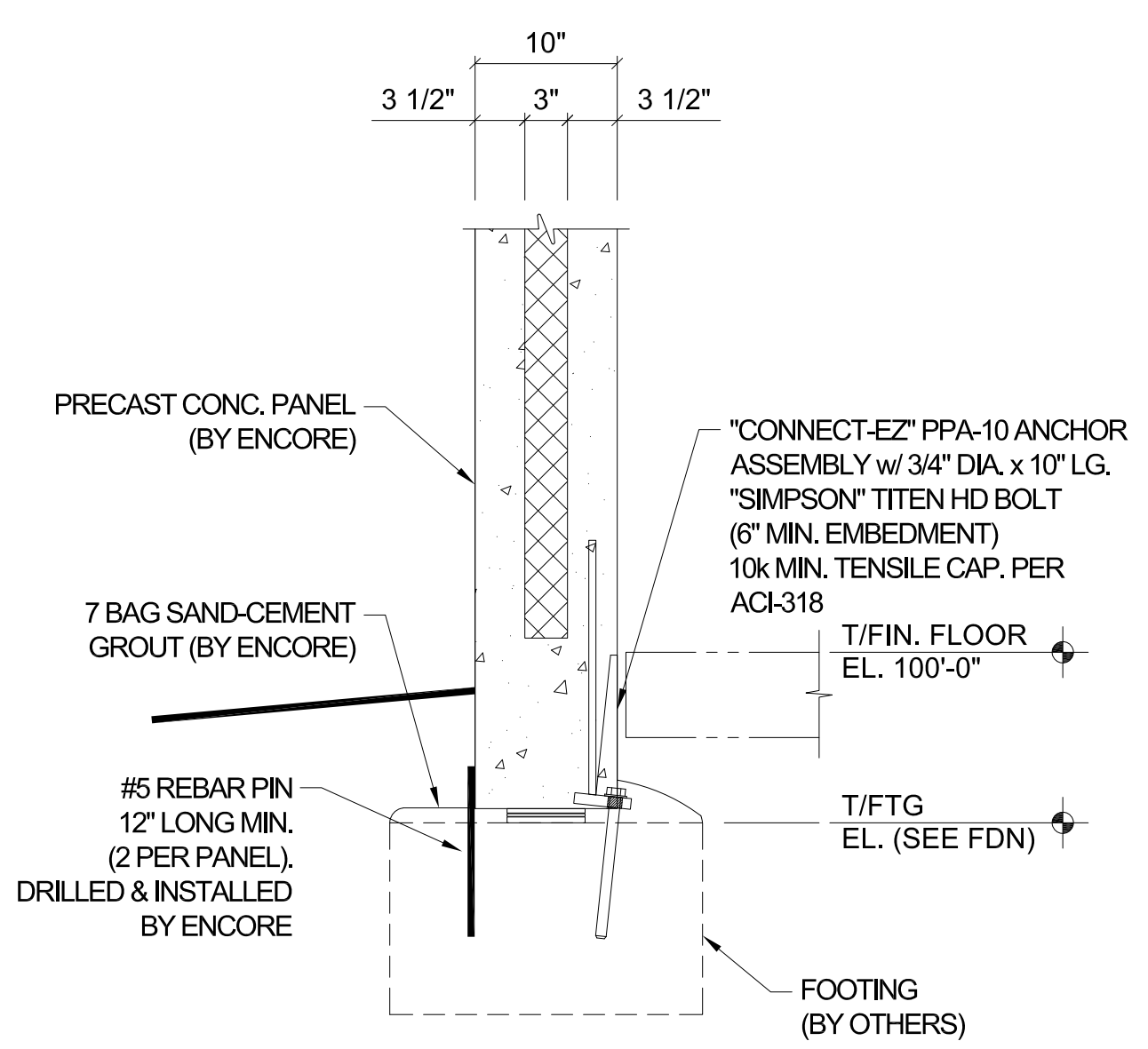
SECTION C 1"=1'-0"



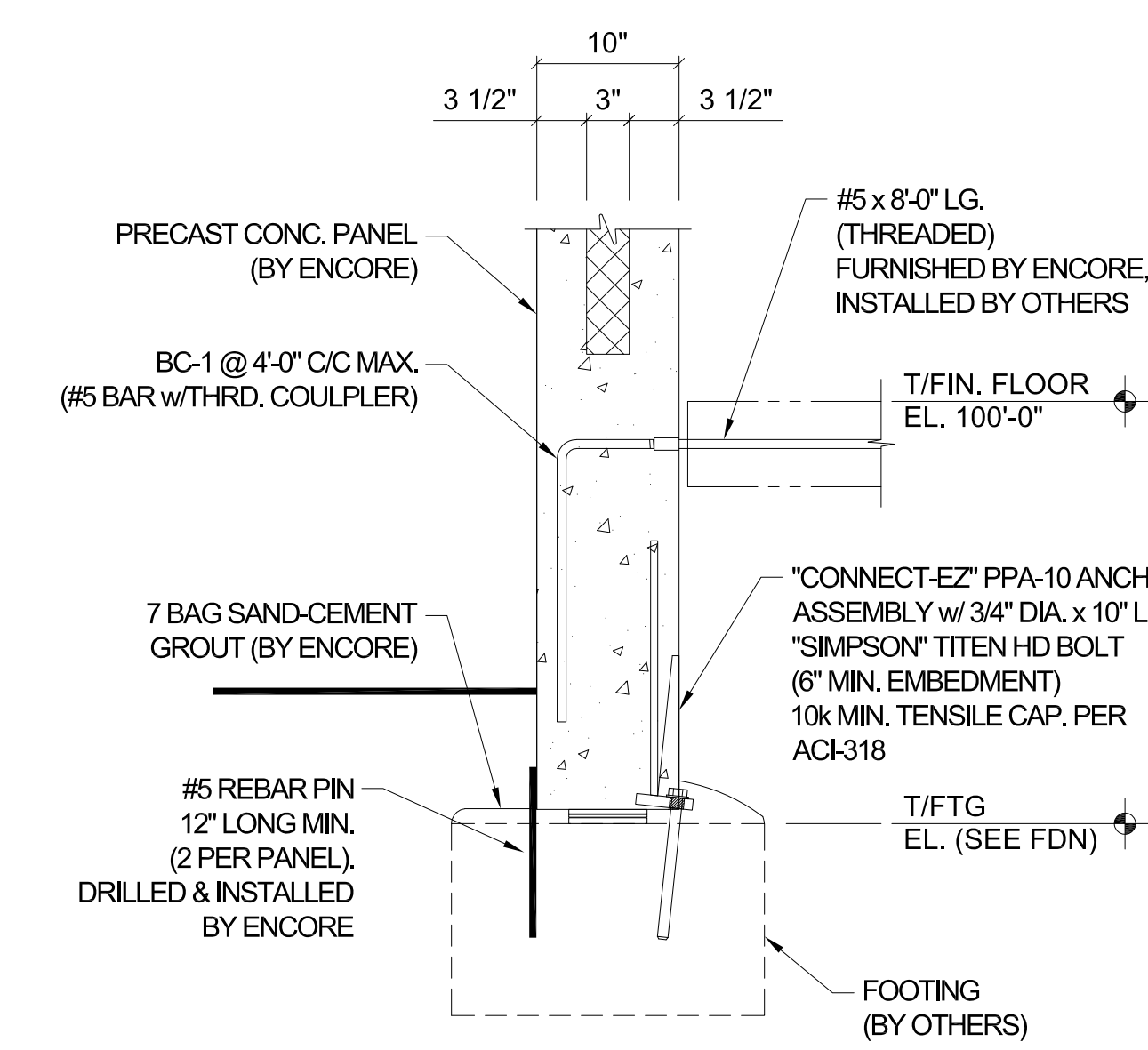
DETAIL 1 1"=1'-0"



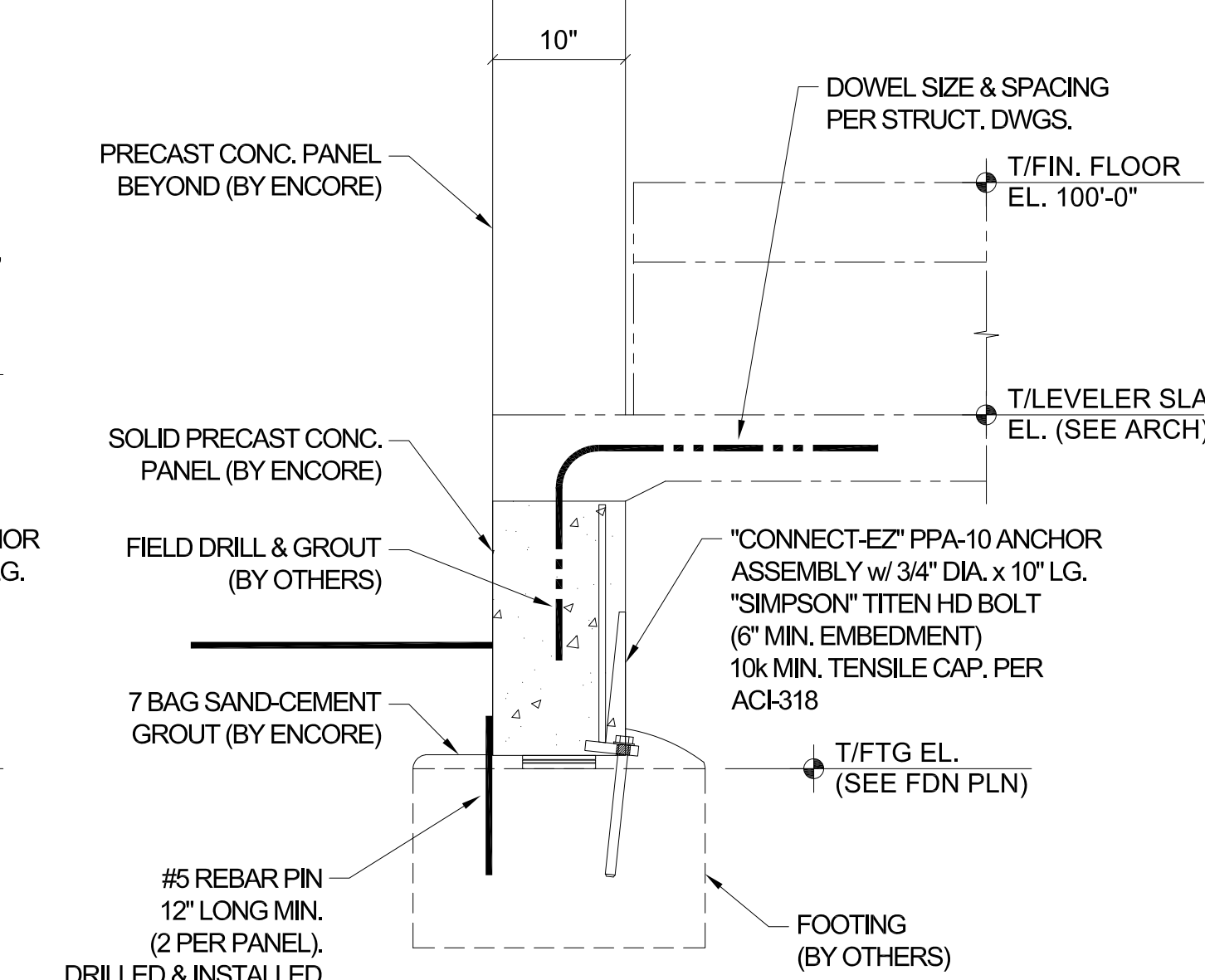
DETAIL 2 1"=1'-0"



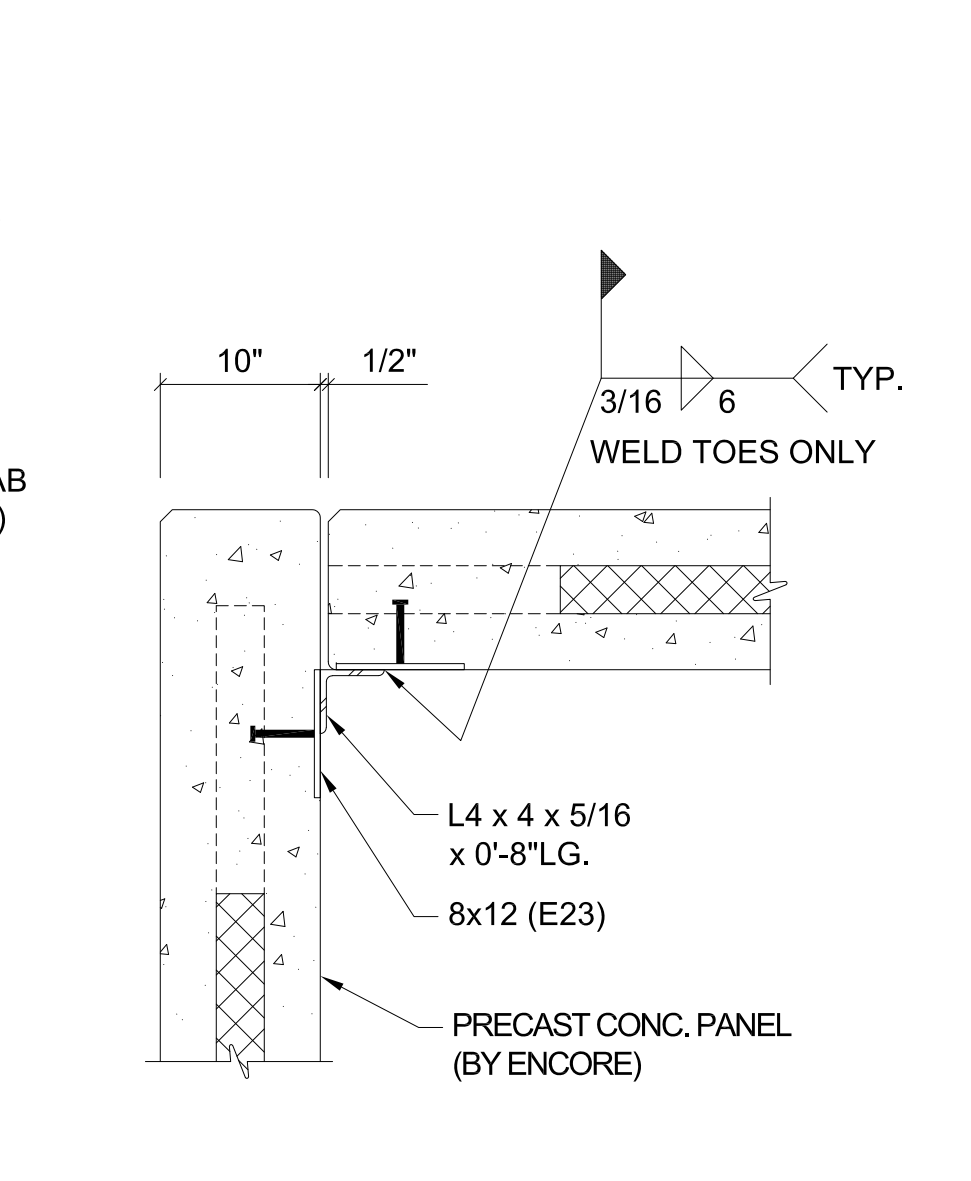
SECTION 3 1"=1'-0"



SECTION 4 1"=1'-0"



SECTION 5 1"=1'-0"



DETAIL 6 1"=1'-0"

TYPICAL HEADER-TO-PANEL CONNECTION

TYPICAL PANEL BASE ANCHORAGE

PANEL BASE ANCHORAGE @ DOCKS

PANEL BASE ANCHORAGE THRU DOCK DOORS

TYPICAL CORNER CONNECTION

ENCORE BUILDING SYSTEMS
 416 WEST RITTER STREET PO BOX 380
 SEVEN HILLS, OHIO 45662
 This document is the property of ENCORE BUILDING SYSTEMS. Neither this drawing nor the information it contains is to be used for any project for which it was prepared without the express written consent of ENCORE BUILDING SYSTEMS.



SAMPLE DETAILS
 TYP. SECTIONS & DETAILS
 City, Ohio
 STREET

DRAWN BY: JNR
 CHECKED BY:

DATE: XX-XX-XX

JOB #: XXXX

REVISIONS:

SHEET:

D-1